

		AU 00	AU 45	AU 90	
Working Air Pressure		71-85 p.s.i. (0.49~0.59)			
Stroke		.630" (16mm)			
Weight (kg)		3.65 lbs. (1.65kg)	1.54 lbs (3.39kg)	3.61 lbs. (1.64kg)	
Riveting Capacity	3/32" (2.4mm)	•			•
	1/8" (3.2mm)	•			•
	5/32" (4.0mm)	•			—
	3/16" (4.8mm)				
Shockless technology		•			
Silencer		•			
Rotary joint		•			—
Jaws		M•Ultra			

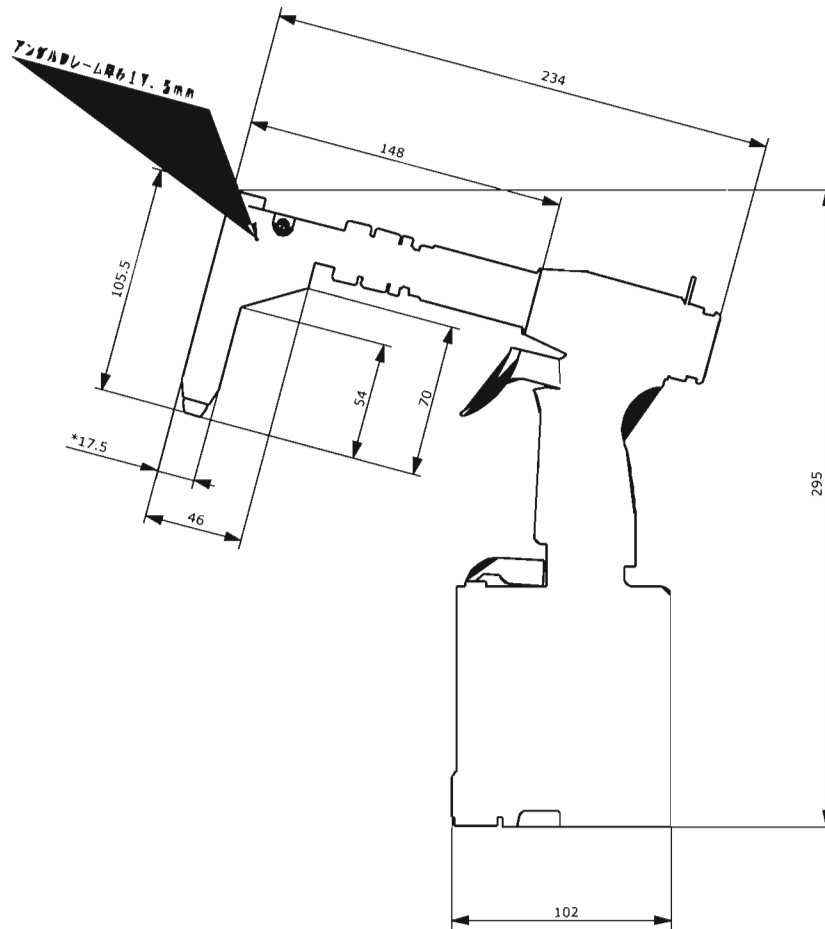
▲ Cannot be used with stainless steel rivets.

ANGLE HEAD RIVETER SERIES SPECIFICATIONS

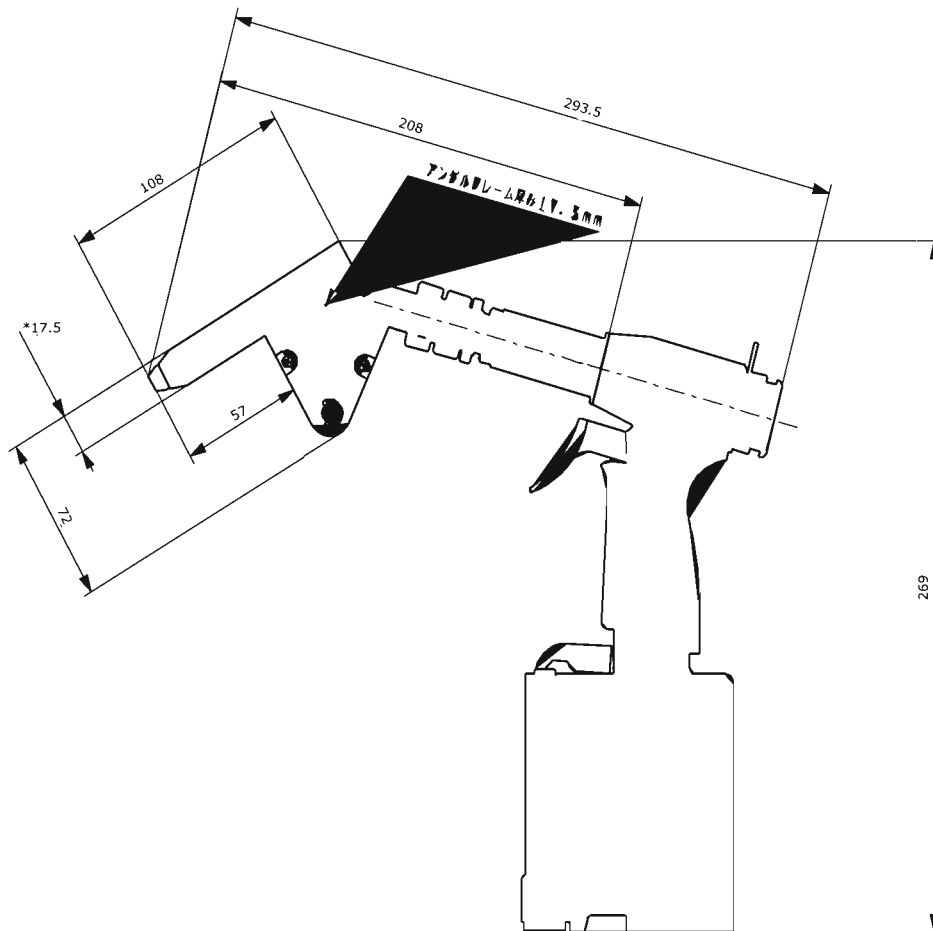


Lobster Tools

Dimensions for AR041A-90



Dimensions for AR041A-45



Dimensions for AR041A-00

