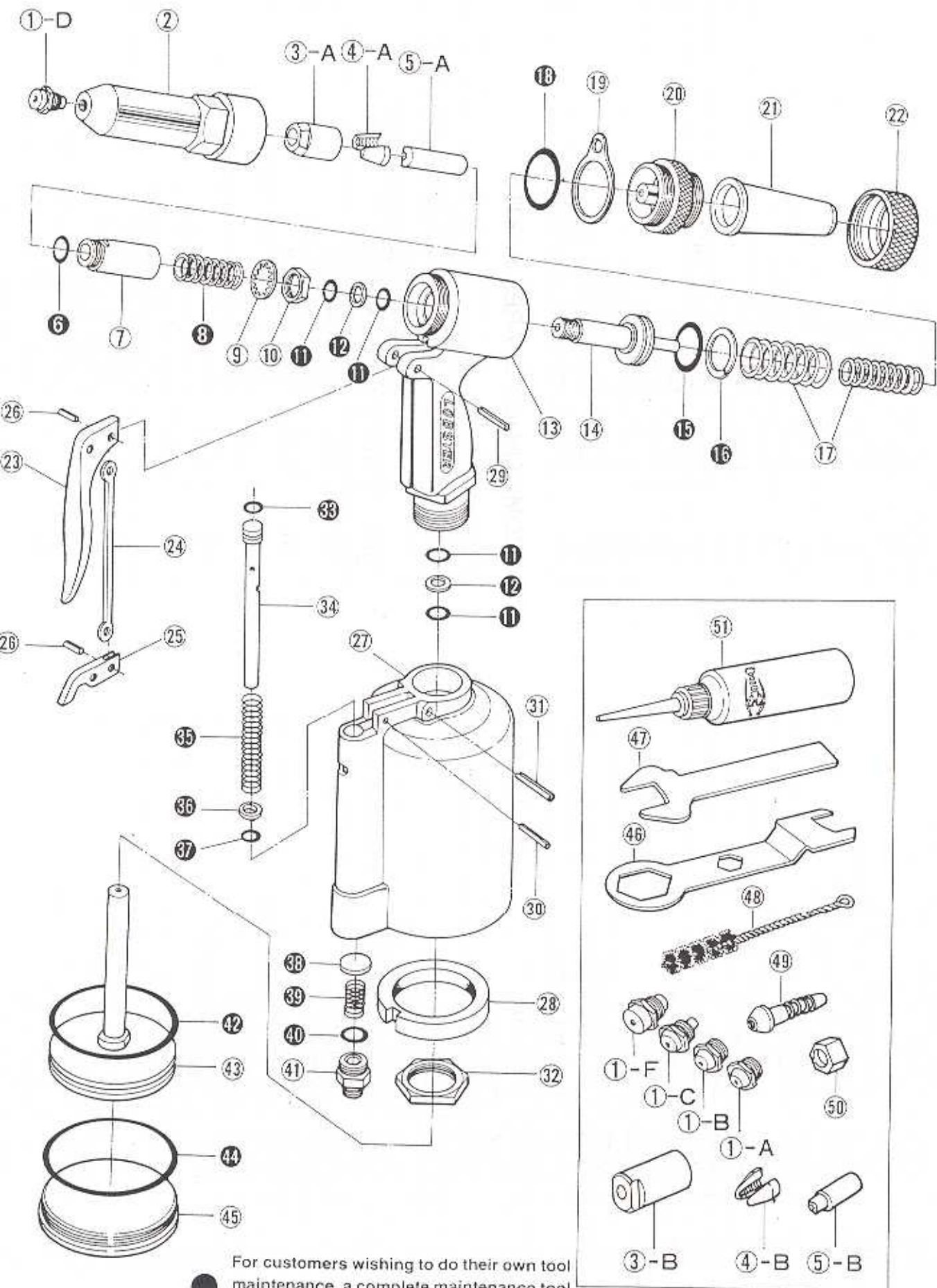


AR-011H(B)



For customers wishing to do their own tool maintenance, a complete maintenance tool spares kit (#109) is available.

AR-011H(B) PARTS LIST

INDEX NO	CODE	PART-NAME
01	15169	Set of 5 Nose Pieces
01A	10213	Nose Piece (M) 2.4 (3/32)
01B	10214	Nose Piece (M) 3.2 (1/8)
01C	10215	Nose Piece (M) 4.0 (5/32)
01D	14350	Nose Piece (M) 4.8 (3/16)
01F	10226	Nose Piece (H) 6.4 (1/4)
02	10191	Frame Head
03A	20528	Jaw Case Head (M)
03B	10223	Jaw Case Head (H)
04A	10117	Jaws (set) 'M'
04B	10201	Jaws (set) 'H'
05A	10209	Jaw Pusher (M)
05B	10224	Jaw Pusher (H)
06	10152	O-Ring S-14
07	10198	Jaw Case
08	10210	Jaw Pusher Spring
09	10148	Lock Washer A-7/16
10	10113	Jaw Case Lock Nut
11	10128	O-Ring P-12
12	10129	B-Ring P-12
13	14135	Frame only
14	10195	Oil Piston
15	10207	O-Ring P-24
16	10208	O-Ring P-24
17	14139	Return Spring A + B (set)
17A	10196	Return Spring A (inner)
17B	10197	Return Spring B (outer)
18	10221	O-Ring S-28
19	10192	Hanger Clip
20	10190	Frame Cap
21	14032	Safety Cap (reinforced, blue)
22	10194	Safety Cap Nut
23	13126	Trigger (long)
24	10202	Trigger Connector Rod
25	10119	Trigger Lever
26	10147	Spring Pin 3 × 6
27	10022	Air Cylinder (with Bumper)
28	10114	Bumper (Rubber Cushion)
29	10144	Spring Pin 3 × 22
30	10146	Spring Pin 3 × 18
31	14154	Slotted Pin 4 × 31
32	10112	Frame Lock Nut
33	10219	O-Ring P-9

AR-011H(B) PARTS LIST

INDEX NO.	CODE	PART-NAME
34	10205	Valve Pusher
35	10206	Valve Pusher Spring
36	10222	Collar for Valve Pusher
37	10220	O-Ring S-6
38	10125	Valve (Disc)
39	10126	Valve Spring
40	10152	O-Ring S-14
41	10127	Nipple (3/8-1/4)
42	10212	O-Ring P-70
43	14164	Air Piston Unit
44	10211	O-Ring G-80
45	10059	Air Cylinder Cap (H)
46	10217	Spanner 'A'
47	10218	Spanner 'B'
48	10143	Cleaning Brush
49	10140	Air Hose Joint 1/4
50	10139	Air Hose Joint Nut 1/4
51	10012	Hydraulic Oil (150cc in a bottle)

RECOMMENDED SPARES IN KITS

INDEX NO.	CODE	PART-NAME
100	15584	Auxiliary & Accessory Kit (includes nos. 1,3B,4A,4B,5B,46,47,48,49,50&51)
101LT	15177	Long Trigger Assembly (includes nos. 23,24,25,26-2pcs.,29&30)
102	14170	Air Piston Assembly (includes nos. 42&43)
103	14151	Oil Piston Assembly (includes nos. 14,15&16)
104	10187	Frame (with O-/B-Rings) (includes nos. 13,11-4pcs.,&12-2pcs.)
105	15637	Hydraulic Seal Kit (includes nos. 18,11-4pcs.,&12-2pcs.)
106	15189	Piston Seal Kit (includes nos. 15,16,42&44)
107	15659	Valve Seal Kit (includes nos. 33,36,37&40)
108	15678	Light Spring & Valve Kit (includes nos. 8,35,39&36)
109	15848	Maintenance Kit (completes set of 6,105,106,107&108)
110	16007	Auxiliary Tool Kit (includes nos. 1A,1B,1C,1F,3B,4A,4B,5B,46,47,48,49&50)
	02431	JAW Lube (50cc in a bottle)