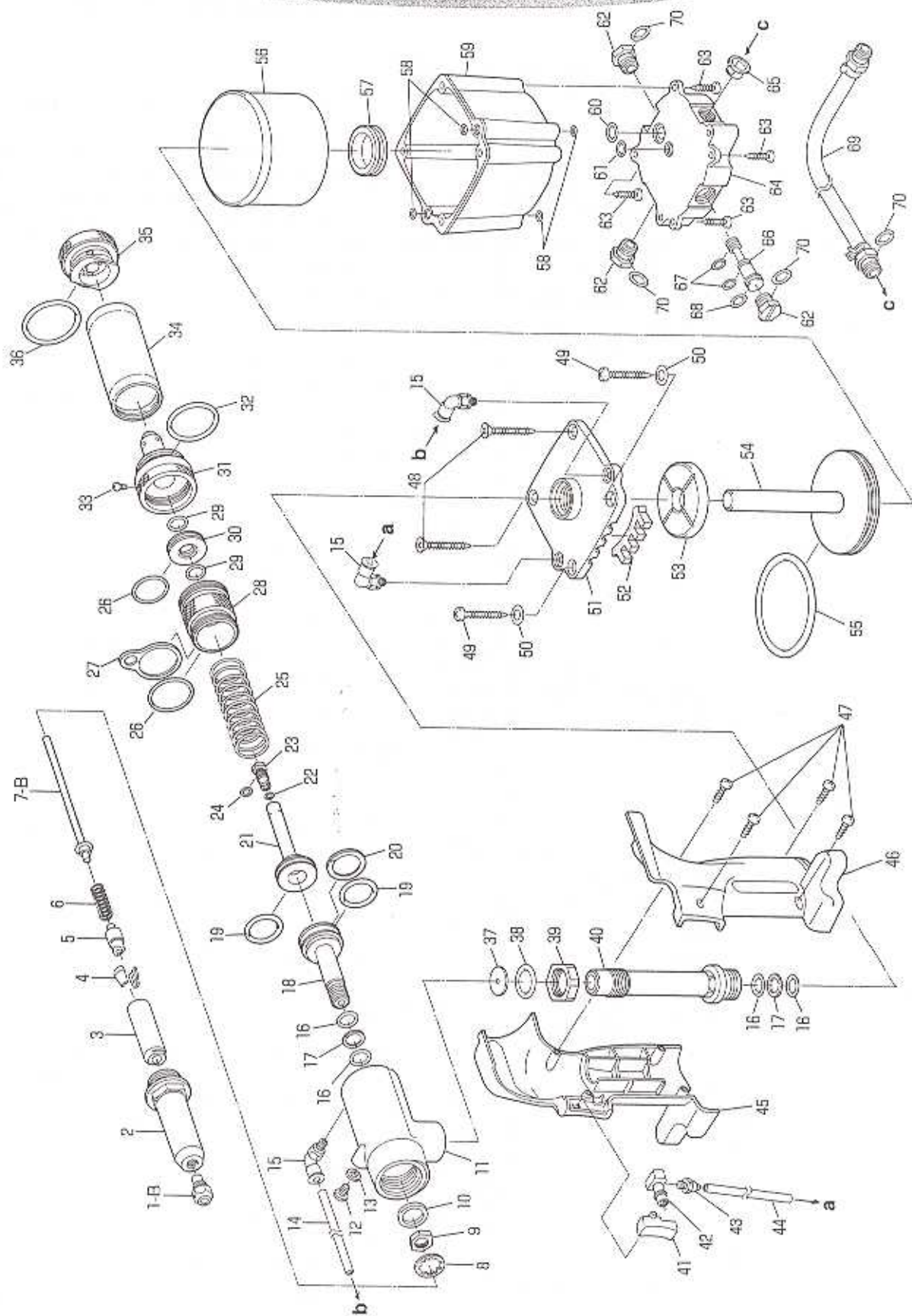
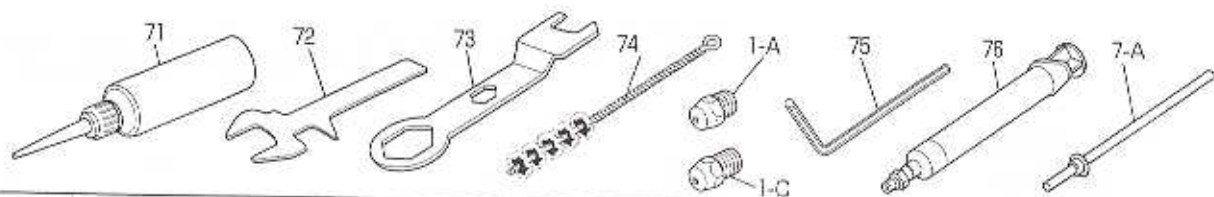


AR2000SV PARTS TABLE





Index No.	Part name	Code No.	Index No.	Part name	Code No.
1-A	Nosepiece 'S' 2.4 (3/32)	10027	37	Shock plate	29378
1-B	Nosepiece 'S' 3.2 (1/8)	10028	38	O-ring P-18 (1B)	29617
1-C	Nosepiece 'S' 4.0 (5/32)	10029	39	Aluminum lock nut	29381
2	Frame head 'S'	29801	40	Oil sleeve unit	29633
3	Jaw case 'S'	10173	41	Switch	29348
4	Jaws (pair) 'S'	10032	42	Valve sleeve	29350
5	Jaw pusher	10132	43	Terrapin connector	29351
6	Jaw pusher spring	10133	44	Polyurethane tube 105 mm	29352
7-A	Guide pipe 'A'	29677	45	Frame cover 'R'	29338
7-B	Guide pipe 'B'	29678	46	Frame cover 'L'	29339
8	Lock washer	10148	47	Pan head tapping screw 3×10	29340
9	Jaw case lock nut	10113	48	Flat head tapping screw 5×35	29367
10	Stop ring	23634	49	Pan head tapping screw 5×35	29608
11	Frame unit 'S'	29803	50	Flat washer No.5	29609
12	Bleed plug (Hexagon socket head cap screw)	29337	51	Cylinder top (with muffler)	29634
13	Pack seal 6 mm	10355	52	Muffler	29377
14	Polyurethane tube 205 mm	29353	53	Rubber cushion	29358
15	Connector	29354	54	Air piston unit 'S'	29820
16	O-ring P-12	10128	55	O-ring P-60	10134
17	B-ring P-12	10129	56	Cylinder cup 'S'	29824
18	Oil piston 'S'	29811	57	Grommet	29361
19	O-ring P-18	23683	58	O-ring S-5	10276
20	B-ring P-18	23684	59	Cylinder cover 'S'	29822
21	Back piston 'SV'	29679	60	O-ring P-10	10274
21U	Back piston unit 'SV'	29704	61	O-ring P-6	10150
22	O-ring S-4	29664	62	Change plug	29375
23	Nozzle (with O-ring)	29699	63	Pan head tapping screw 4×20	29610
24	O-ring S-6	10220	64	Cylinder bottom	29366
25	Return spring 'S'	29815	65	Dust-proof cap	29611
26	O-ring S-24	10185	66	Spool	29612
27	Hanger clip 'S'	29819	67	O-ring P-5 (4D)	29613
28	Frame cap 'SV'	29680	68	O-ring P-8 (4D)	29614
28U	Frame cap unit 'SV'	29705	69	Air hose unit	29448
29	O-ring P-10	10274	70	O-ring P-9	10219
30	Air valve (with O-rings)	29701	71	"LOBSTER" brand hydraulic oil	10012
31	Air controller (with O-ring)	29702	72	Spanner 'B'	29642
32	O-ring P-30	14445	73	Spanner 'A'	10183
33	Pan head tapping screw 3×6	29670	74	Cleaning brush	10143
34	Mandrel tank 'S'	29681	75	Hex key wrench 5 mm	25777
34U	Mandrel tank unit 'S' (with cap)	29837	76	Priming pump (syringe unit)	29824
35	Tank cap (with O-ring)	29703			
36	O-ring P-34	24311			

* Part no. 11 includes part nos. 10, 12, 13, 16, 17, 37 and 38.

Part no. 21U includes part nos. 19, 22, 23 and 24.

Part no. 28U includes part nos. 26, 27 and 29.

Part no. 40 includes part nos. 16 and 17.

Part no. 54 includes part nos. 53 and 55.

Part no. 69 includes part no. 70.

ORDERING PARTS

Indicate the tool model, part name, code no. and quantity as shown below when ordering.

Model	Part Name	Code No.	Qty.
AR2000SV	Jaws (pair) 'S'	10032	1
AR2000SV	Frame head 'S'	29801	1

* When parts are modified for improvement, the older parts are kept in stock for a period of five years.