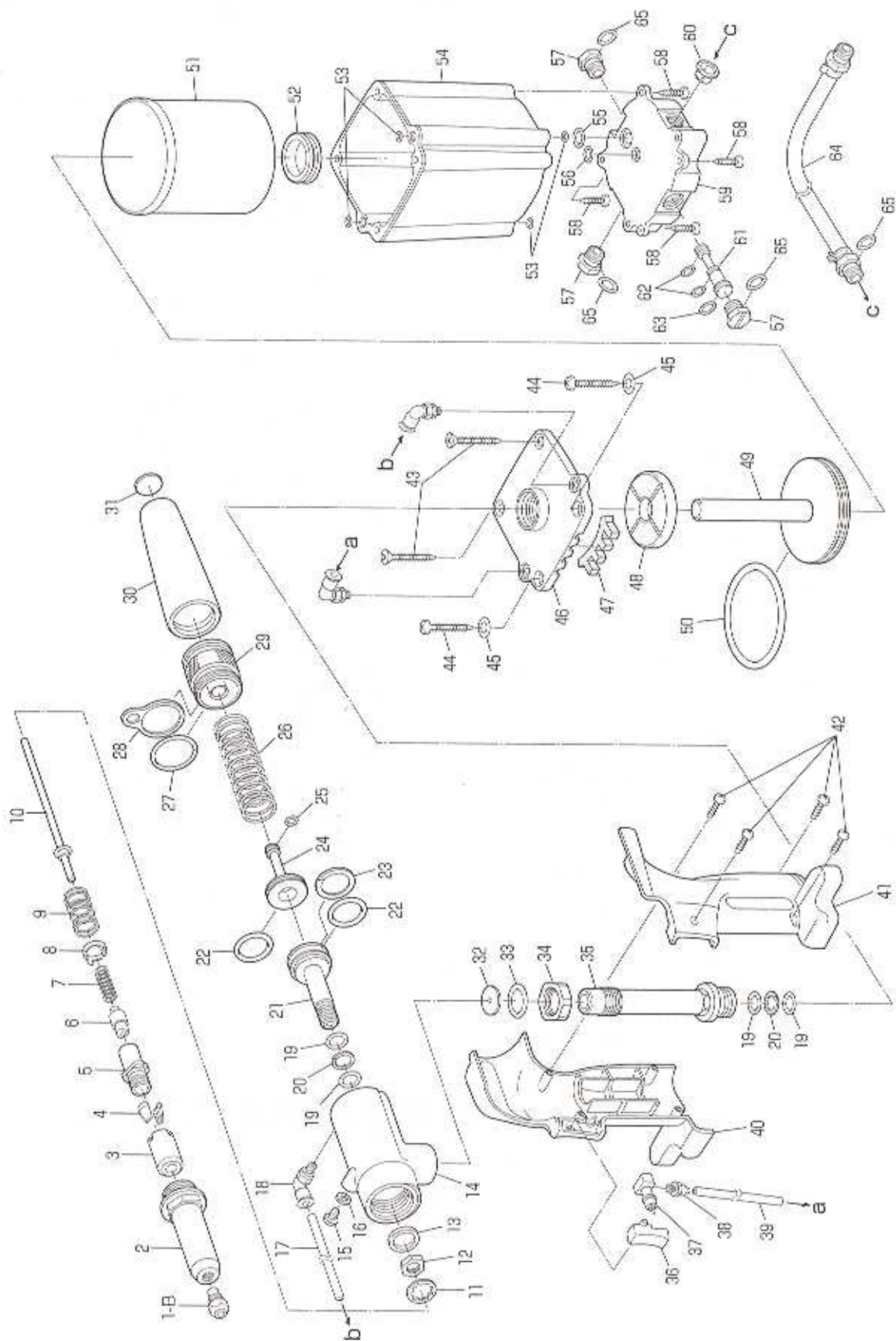
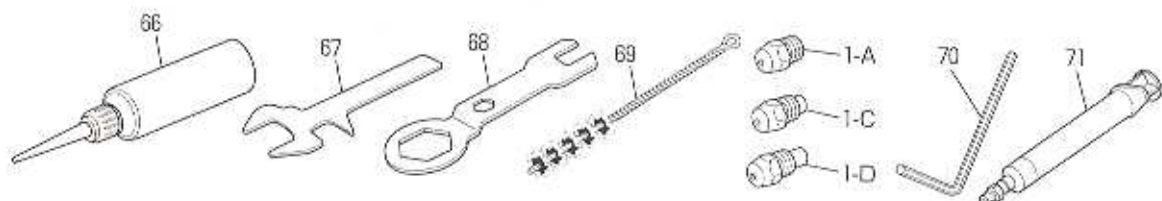


AR2000M PARTS TABLE





Index No.	Part name	Code No.	Index No.	Part name	Code No.
1-A	Nosepiece 'S' 2.4 (3/32)	10027	36	Switch	29348
1-B	Nosepiece 'S' 3.2 (1/8)	10028	37	Valve sleeve	29350
1-C	Nosepiece 'S' 4.0 (5/32)	10029	38	Terrapin connector	29351
1-D	Nosepiece 'S' 4.8 (3/16)	10030	39	Polyurethane tube 105 mm	29352
2	Frame head 'M'	29332	40	Frame cover 'R'	29338
3	Jaw case head	10280	41	Frame cover 'L'	29339
4	Ultra jaws (pair) 'M'	10281	42	Pan head tapping screw 3×10	29340
5	Jaw case	10279	43	Flat head tapping screw 5×35	29367
6	Jaw pusher	10132	44	Pan head tapping screw 5×35	29608
7	Jaw pusher spring	10133	45	Flat washer No.5	29609
8	Jaw case collar	10286	46	Cylinder top (with muffler)	29634
9	Collar spring	10287	47	Muffler	29377
10	Guide pipe	14492	48	Rubber cushion	29358
11	Lock washer	10148	49	Air piston unit 'M'	29635
12	Jaw case lock nut	10113	50	O-ring P-80	10134
13	Stop ring	23634	51	Cylinder cup 'M'	29360
14	Frame unit 'M'	29627	52	Grommet	29361
15	Bleed plug (Hexagon socket head cap screw)	29337	53	O-ring S-5	10276
16	Pack Seal 6 mm	10355	54	Cylinder cover 'M'	29359
17	Polyurethane tube 205 mm	29353	55	O-ring P-10	10274
18	Connector	29354	56	O-ring P-6	10150
19	O-ring P-12	10128	57	Change plug	29375
20	B-ring P-12	10129	58	Pan head tapping screw 4×20	29610
21	Oil piston 'M'	29342	59	Cylinder bottom	29366
22	O-ring P-22A	10130	60	Dust-proof cap	29611
23	B-ring P-22A	10131	61	Spool	29612
24	Back piston 'M'	29344	62	O-ring P-5 (4D)	29613
25	O-ring P-7	10149	63	O-ring P-8 (4D)	29614
26	Return spring 'M'	29345	64	Air hose unit	29448
27	O-ring S-30	23685	65	O-ring P-9	10219
28	Hanger clip	10106	66	"LOBSTER" brand hydraulic oil	10012
29	Frame cap clip 'M'	29346	67	Spanner 'B'	29642
30	Safety cap (with bottom plate)	28641	68	Spanner 'A'	10141
31	Bottom plate	27875	69	Cleaning brush	10143
32	Shock plate	29378	70	Hex key wrench 5 mm	25777
33	O-ring P-18 (1B)	29617	71	Priming pump (syringe unit)	29624
34	Aluminum lock nut	29381			
35	Oil sleeve unit	29633			

* Part no. 14 includes part nos. 13, 15, 16, 19, 20, 32 and 33.

Part no. 35 includes part nos. 19 and 20.

Part no. 49 includes part nos. 48 and 50.

Part no. 64 includes part no. 65.

ORDERING PARTS

Indicate the tool model, part name, code no. and quantity as shown below when ordering.

Model	Part Name	Code No.	Qty.
AR2000M	Ultra jaws (pair) 'M'	10281	1
AR2000M	Frame head 'M'	29332	1

* When parts are modified for improvement, the older parts are kept in stock for a period of five years.