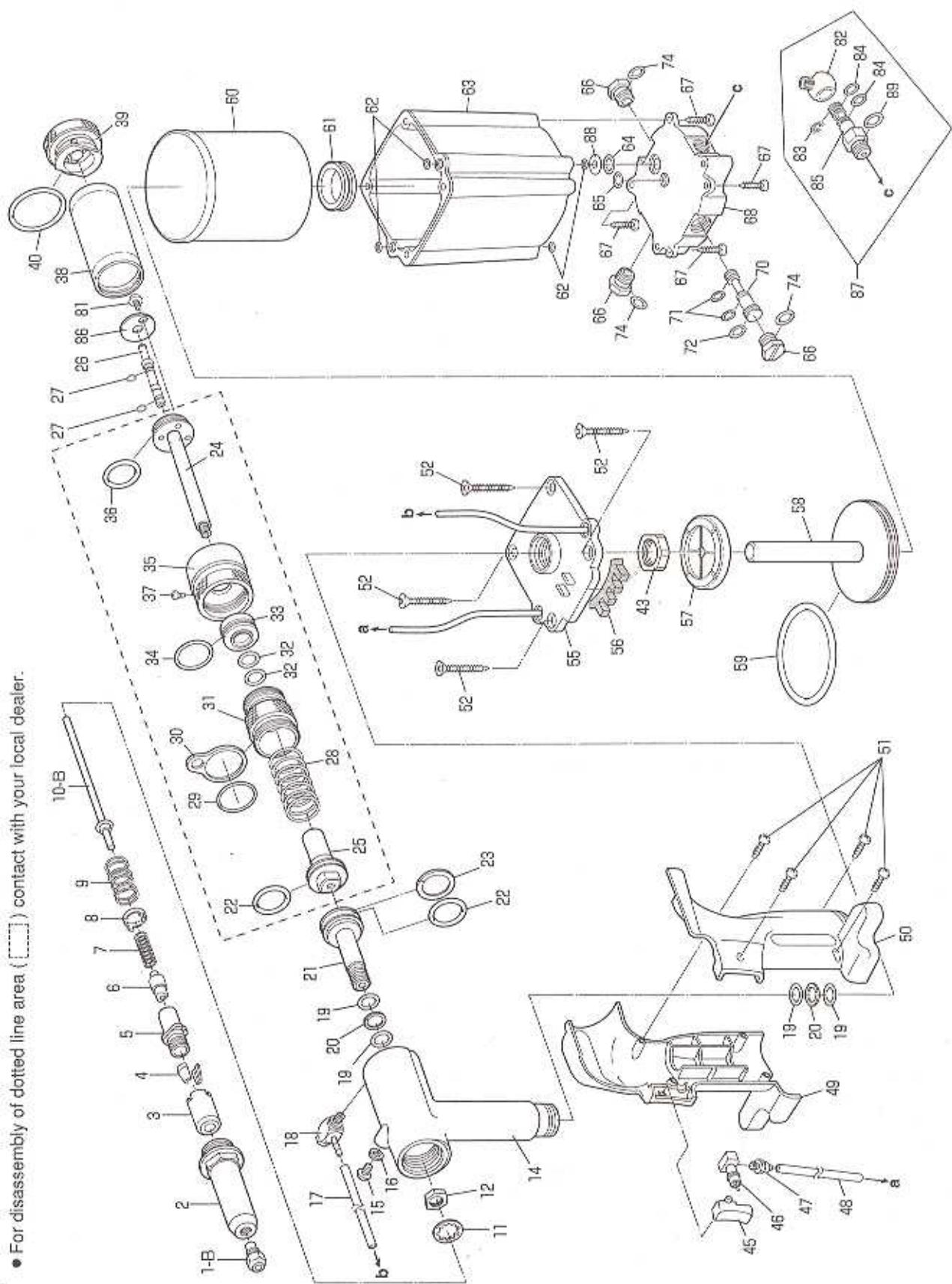
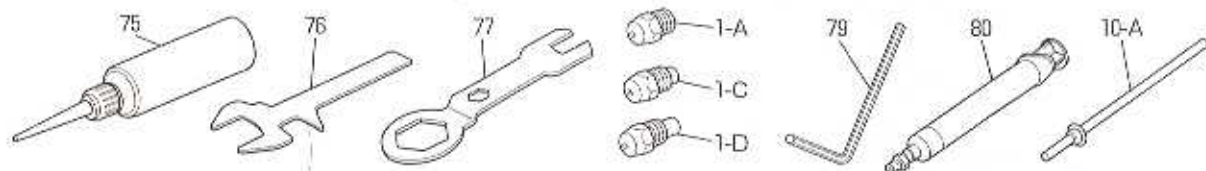


● For disassembly of dotted line area. ([]) contact with your local dealer.





Index No.	Part name	Code No.	Index No.	Part name	Code No.
1-A	Nosepiece 'S' 2.4 (3/32)	10027	40	O-ring P-34	24311
1-B	Nosepiece 'S' 3.2 (1/8)	10028	43	Frame lock nut 'H'	29757
1-C	Nosepiece 'S' 4.0 (5/32)	10029	45	Switch	29348
1-D	Nosepiece 'S' 4.8 (3/16)	10030	46	Valve sleeve	29350
2	Frame head 'M'	29332	47	Miniature straight	42510
③	Jaw case head	10280	48	Polyurethane tube 115 mm	29729
④	Ultra jaws (pair) 'M'	10281	49	Frame cover 'R'	42478
⑤	Jaw case 'M'	10279	50	Frame cover 'L'	42500
⑥	Jaw pusher	10132	51	Pan head tapping screw 3 x 10	29340
⑦	Jaw pusher spring	10133	52	Flat head tapping screw 5 x 35	29367
8	Jaw case collar	10286	54	Flat washer No.5	29609
9	Collar spring	10287	55	Cylinder top (with muffler)	42490
10-A	Guide pipe 'X'	16779	56	Muffler	29377
10-B	Guide pipe 'Y'	14492	57	Rubber cushion	29736
11	Lock washer	10148	58**	Air piston unit 'M'	42495
12	Jaw case lock nut	10113	59	O-ring P-60	10134
14**	Frame unit 'MA'	42486	60	Cylinder cup 'M'	29360
15	Bleed plug (Hexagon socket head cap screw)	29337	61	Grommet	29361
16	Pack seal 6 mm	10355	62	O-ring S-5	10276
17	Polyurethane tube 220 mm	29730	63	Cylinder cover 'M'	29359
18	Miniature elbow	42837	64	O-ring P-10	10274
19	O-ring P-12	10128	65	O-ring P-6	10150
20	B-ring P-12	10129	66	Change plug	29375
21	Oil piston 'Y'	41264	67	Pan head tapping screw 4 x 20	29610
22	O-ring P-22A	10130	68	Cylinder bottom	29366
23	B-ring P-22A	10131	70	Spool	29612
24	Back piston 'Y'	41215	71	O-ring P-5 (4D)	29613
25	Flange 'Y'	41213	72	O-ring P-8 (4D)	29614
26	Nozzle unit (with O-ring)	41199	74	O-ring P-9	10219
27	O-ring S-5	10276	75	"LOBSTER" brand hydraulic oil	10012
28	Return spring 'M'	29345	76	Spanner 'B'	29642
29	O-ring S-30	23685	77	Spanner 'A'	10141
30	Hanger clip 'M'	10106	79	Hex key wrench 5 mm	25777
31	Frame cap 'MV'	29666	80	Priming pump (syringe unit)	29624
31U	Frame cap unit 'MV'	29700	81	Cross recessed head screw 6 x 10	20916
32	O-ring P-10	10274	82	Rotary joint	10294 42501
33	Air valve (with O-rings)	29701	83	Retaining ring E-7	10285
34	O-ring S-24	10185	84	O-ring P-7	10149
35**	Air controller 'Y'	41222	85	Nipple	12130
36	O-ring P-30	14445	86	Plate	41289
37	Pan head tapping screw 3 x 6	29670	87	Rotary joint unit	42502
38	Mandrel tank	29674	88	Exhaust plate	42838
38U	Mandrel Tank unit (with cap)	29838	89	O-ring S-10	10151
39	Tank cap (with O-ring)	29703			

* Part no. 14 includes part nos. 15, 16, 19 and 20.

** Part no. 44 includes part nos. 19 and 20.

** Part no. 35 includes part no. 37.

** Part no. 58 includes part nos. 57 and 59.

Part no. 31U includes part nos. 29, 30 and 32.

Parts with circled Index No. are consumable parts. They should be replaced periodically.

ORDERING PARTS

Indicate the tool model, part name, code no. and quantity as shown below when ordering.

Model	Part Name	Code No.	Qty.
AR2000MV _(A)	Ultra jaws (pair) 'M'	10281	1
AR2000MV _(A)	Frame head 'M'	29332	1

* When parts are modified for improvement, the older parts are kept in stock for a period of five years.