

# Conical Mounts

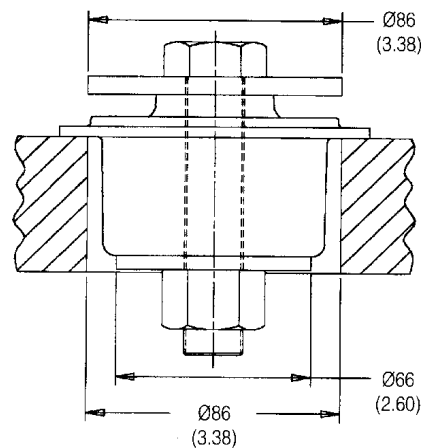


Conical mounts from Lord Corporation provide effective vibration isolation and noise attenuation with a simple, robust mount design. Consistent performance, high load bearing capabilities and a choice of radial stiffness characteristics are key features of these mounts. For more demanding vibration and noise reduction requirements, Lord integrates conical mounts with surface-effect technology to form an advanced control solution known as Hystec™ Systems.

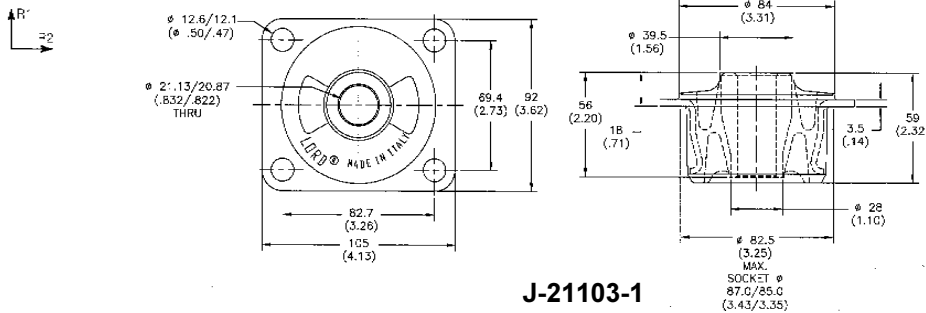
Conical mounts are appropriate for both on-road and off-road vehicles. Applications include cab mounts and engine and transmission mounts for trucks and buses, and construction and agricultural vehicles.

The mounts:

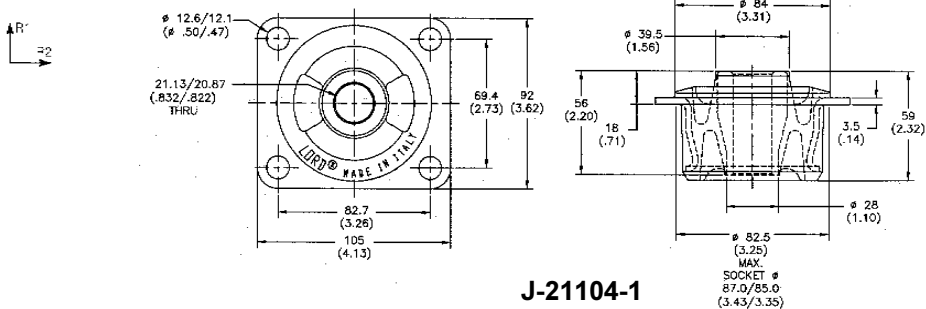
- Provide strong, dependable performance
- Have a typical static deflection of 5mm
- Offer a choice of radial stiffnesses
- Can be snubbed
- Can be safetied with the use of snubbing washers
- Withstand R.O.P.S. loads with the addition of support rings
- Are easily installed
- Exhibit long, highly reliable service life



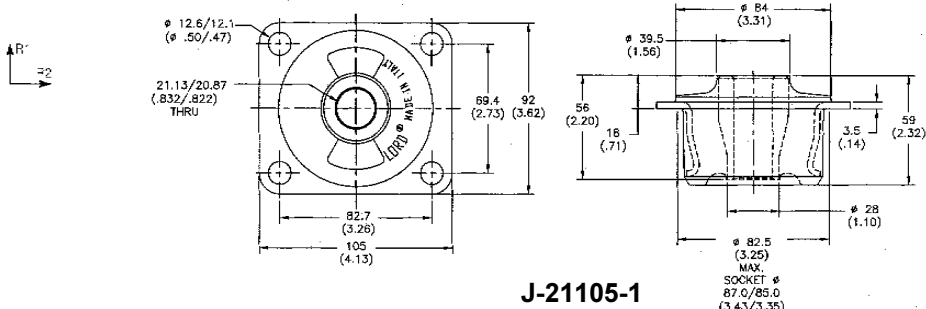




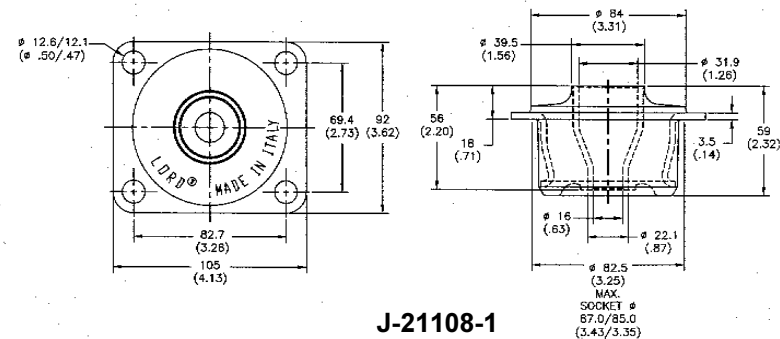
J-21103-1



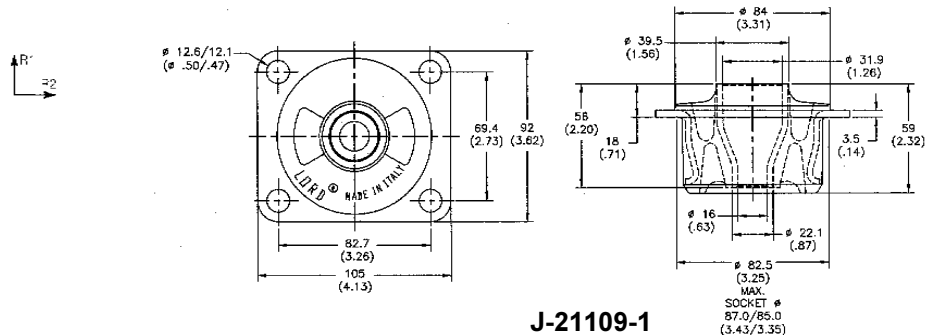
J-21104-1



J-21105-1

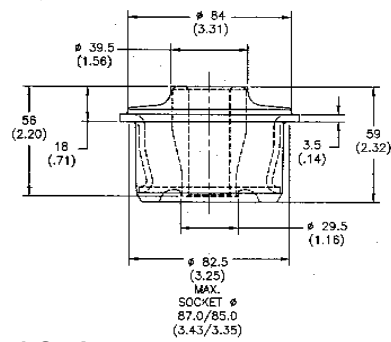
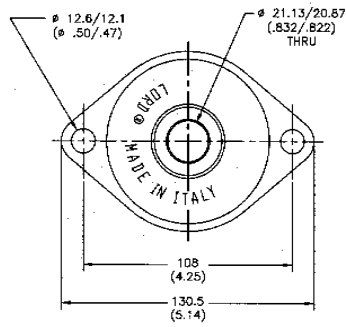


J-21108-1

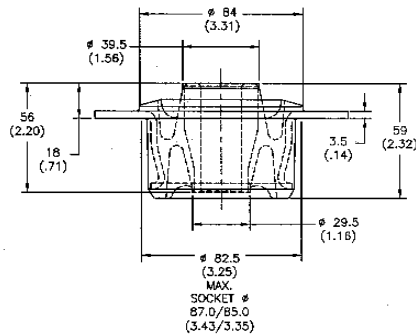
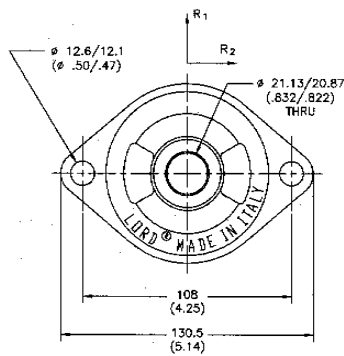


J-21109-1

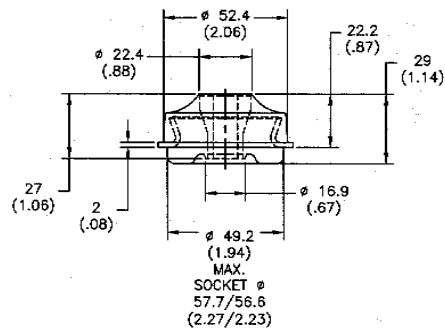
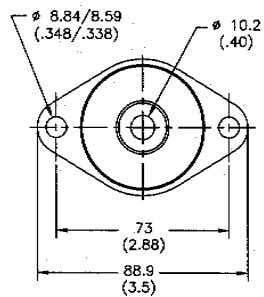
Not all versions feature cores. Parts are available in other Durometers with variations in Axial Static Load and Static Stiffness.



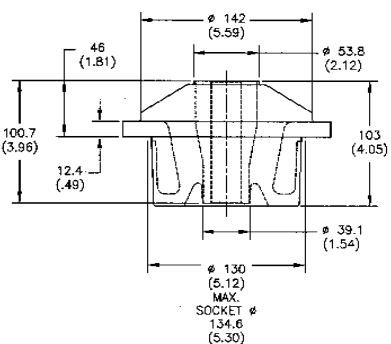
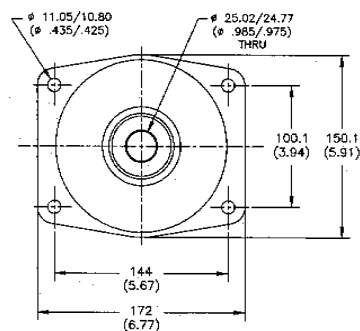
**J-21110-1 Series**



**J-21111-1 Series**



**J-21112-1 Series**



**J-21159 Series**